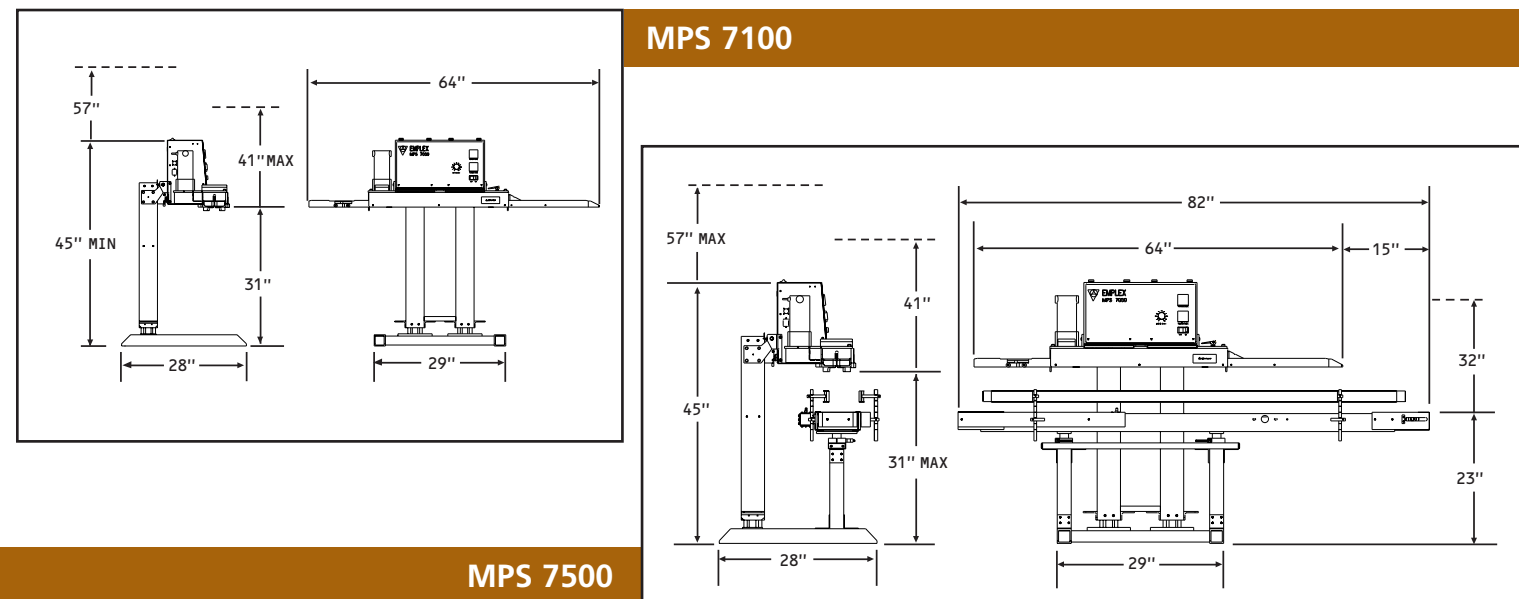


DIMENSIONAL DRAWINGS

AutoCAD drawings of the MPS Series in .DXF format are available upon request.



MPS 7500

Technical Specifications of the MPS 7100 & 7500 Series

Operation:	Manual, semi-, or fully-automatic adaptable
Controls:	Dependent on control system
Electrical:	115 VAC, 1 PH, 60 Hz, 1500 W, 8 amps
Motor:	Variable speed DC drive
Speed:	Standard: Variable up to 750" per minute
Temperature Controller:	2 PID temperature controller
Temperature Range:	Up to 500F / 260C
Seal Width:	1/4"
Sealing Bands:	Teflon
Materials:	Anodized aluminum, stainless steel, delrin.
Weight:	MPS 7100: approx. 134 pounds MPS 7500: approx. 58 pounds
Shipping Crate Sizes:	87" x 28" x 28" approx. 350 lbs (MPS 7100's) 116" x 28" x 28" approx. 450 lbs (MPS 7500's)

CONTACT INFORMATION

For more information on our full product line please contact:
EMPLEX, 2045 Midland Avenue, Toronto, ON, M1P 3E2

Telephone: 416-291-8085
Toll Free Line: 800-265-1775
Fax: 416-298-HEAT (4328)
Email: info@emplex.com
Website: www.emplex.com



Emplex Machinery Distributed By:

PLEXPACK

EMPLEX

BAG SEALING SOLUTIONS



*MPS 7100 & 7500 Series
Continuous Band Sealers*

THE CONTINUOUS EVOLUTION

Emplex manufactures a diverse range of band sealers based on the unique characteristics of the MPS design. Each machine in the MPS series is engineered to meet the specific demands of either a particular industry or a particular bag type, either through design or variation in ability of the three sealing parameters. One of the hallmark features of the MPS line of sealers is the modularity of its optional units – most of which can be added or removed as production requirements demand. Designed with minimal down time in mind, the MPS series of machines offer tool-less, immediate access to the sealing section and an easily accessible, well laid out electrical control box. Detailed supporting documentation, including electrical schematics and exploded sub-assembly diagrams, are available to customers for download off our website. Emplex also offers 24-hour spare parts turnaround on orders placed before 2:00 pm EST. Since 1973, Emplex has been a preferred supplier of sealing machinery to a wide array of industries that include food, chemical, medical, agriculture, horticulture, pet, textile, automotive, industrial and many, many more.



MPS 7100 SERIES

As the base model of the MPS 7000 series, the MPS 7100 boasts a wide range of standard features and capabilities that are intrinsic to each and every model in the MPS 7000 series. These continuous feed sealers have a standard control panel consisting of a variable speed controller, two PID digital temperature controllers, and an on/off/cool down switch. The MPS 7000 series utilizes variable pressure sealing bars for the sealing process, which can be adjusted to accommodate variations in bag thickness or composition, ensuring hermetic seals every time. All seals are created using economical Teflon bands which maintain high seal quality and produce consistently strong, clean seals on any heat sealable bag.

▼ Dual Purpose Design

The benefits of the MPS 7000 can be realized in two different types of applications.

High-Speed Environments: With a top speed of 750" per minute (50% more than the MPS 6000 series) the MPS 7000 is perfectly suited to meet the most demanding throughputs. To maximize speed, alternating loads with an operator positioned on the front and back of the machine is recommended.

Heavy Duty Bags: This includes; top gusseted, 6 mil or heavier polys, laminated bags, multi-walled, foils, and other difficult to seal materials. With its standard 10" of heating and 10" of cooling (double the capacity of the MPS 6000 series) the MPS 7000 series can seal most any heat sealable bag.

▼ Machine Protection

The electrical controls are housed in a NEMA 4 Control Box, protecting them during operation in dusty or moist environments. This added measure of protection helps keep the machine's controls in a functional condition in environments where the elements pose a danger to the long-term durability and reliability of the machine.

▼ Add-On Versatility

A number of add-on options can modify and enhance the sealing functionality of this series. These options include: trimmers, printers, embossers, conveyors, pressure rollers and more. This add-on principle means it is possible to add any of these options to the sealing unit at any time, even after the purchase, to accommodate changing production needs — making the MPS series the most versatile sealing machine line available.

▼ Strong Support Capability

Emplex's exclusive infeed system is capable of supporting significant bag weights without the use of a conveyor. Typically, the MPS can support a 10" wide, 3 mil bag containing 2 pounds of product. Less weight is supported as the bag narrows, mil thickness decreases, or if an optional trimmer is added (please contact Emplex for a product test). For bags that require more support, a conveyor can be readily and simply added to the unit.

▼ Teflon Band Tensioning Unit

When sealing bands need to be replaced, Emplex's unique band tensioning unit makes changing Teflon sealing bands as easy as 1-2-3. Precise adjustment to either the tensioning or tracking of the band is simple to perform and allows the user to fine tune settings for optimal set-up of the sealing bands.

▼ Unique Stand Design

This robust anodized aluminum stand (6061-T6) is as functional as it is durable. Built conveyor-ready, the corrosion-resistant stand is infinitely adjustable within the specified range (see the dimensional drawing on the back page). For applications where a taller stand is required we offer an optional 8" extended post. For applications where horizontal sealing is required, we offer a shortened post with a horizontal lock, which can be run with conveyors in the 30" to 36" range.

MPS 7500 ConveyORIZED Series

The MPS 7500 series is the conveyORIZED mate to the 7100 Series, and is required for bag weights of 2 pounds or more. The conveyors are provided standard with an electrical drive connection. All conveyors are stainless steel, food-grade belt conveyors complete with adjustable guide rails and can be manually raised and lowered (see the dimensional drawing on the back page). Standard conveyor size is 6" W x 6' L (as pictured on the cover). An optional, fixed height 12" W x 6', 9', or 12' L conveyor is available as an upgrade.



MPS 7500 with a 12" x 9' conveyor



MPS 7110 & 7510

These models are equipped with the front-end TR60 bag top trimmer which is easily and quickly removed for servicing or non-trimmed sealing applications. Its rotary blade is height adjustable for accurate trim positioning and can be set to eliminate the "tail" produced above the seal. Scrap is positively removed by our trim belt system. For applications where less than 2" of material is being trimmed or where static is prevalent in the environment, our optional vacuum trim removal system is recommended.

MPS 7120 & 7520

These models come with the ER60 emboss coder. The ER60 unit holds up to 8 characters of standard type and 13 characters of slim type. It is supplied with a standard single line embosser wheel; a double line version is available as an option. Individual pieces of type are purchased separately.

MPS 7130 & 7530

These models come with the PR60 ink printer. The PR60 unit holds up to 13 characters of type per line and depending on the font size you choose, 1 to 3 lines of print can be used. This unit requires individual pieces of type to be purchased in order to print your desired code. Three different font sizes are available: 1/8", 3/16", and 1/4". A range of ink colors are available upon request; black is standard.

Models **MPS 7150** and **MPS 7550** both feature the TR60 trimmer and the PR60 ink printer. Models **MPS 7160** and **MPS 7560** both feature the TR60 trimmer and the ER60 emboss coder as standard options.

ADDITIONAL OPTIONS

- ▼ Left to right feed
- ▼ Pressure Rollers

- ▼ 220 Volt Machines
- ▼ Casters

- ▼ Non-Standard Seal Widths
(1/8", 3/8", 1/2", and 3/4" available)

